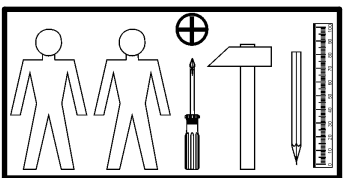
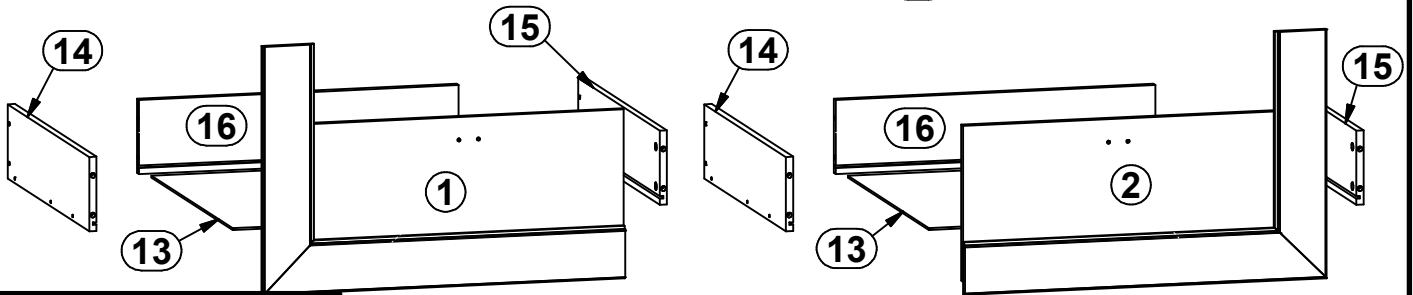
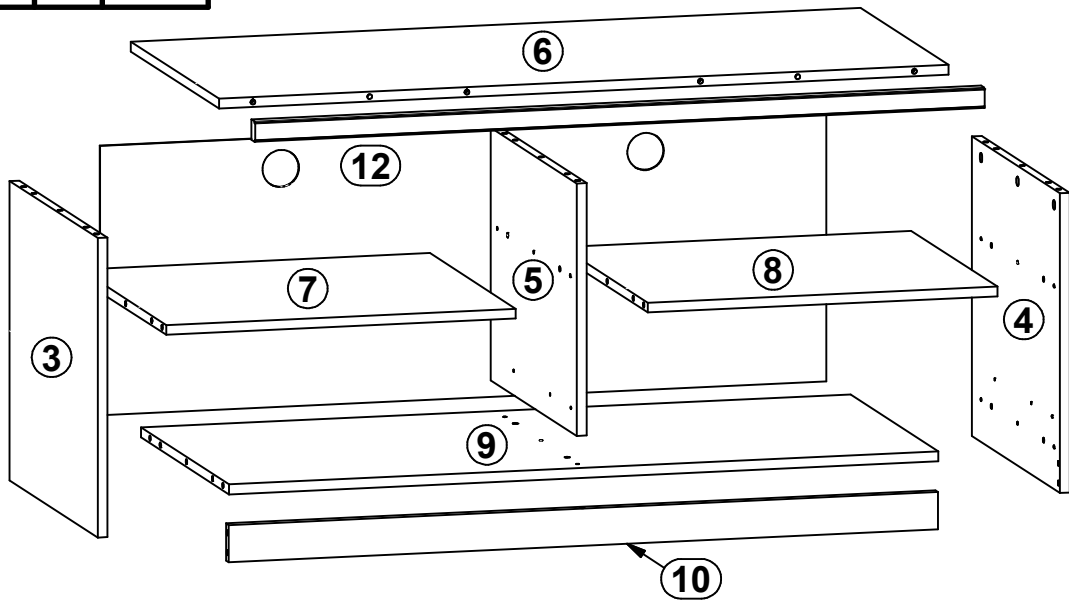
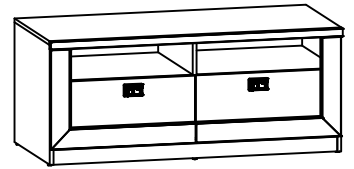


BIGGER

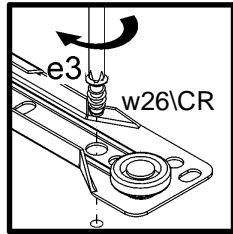
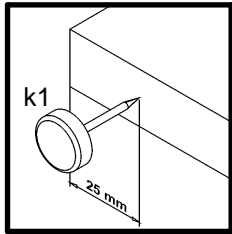
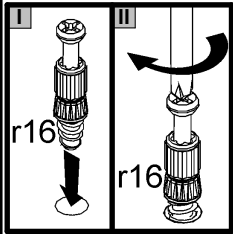
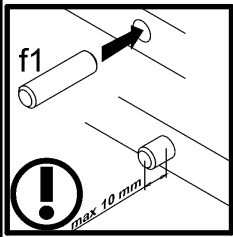
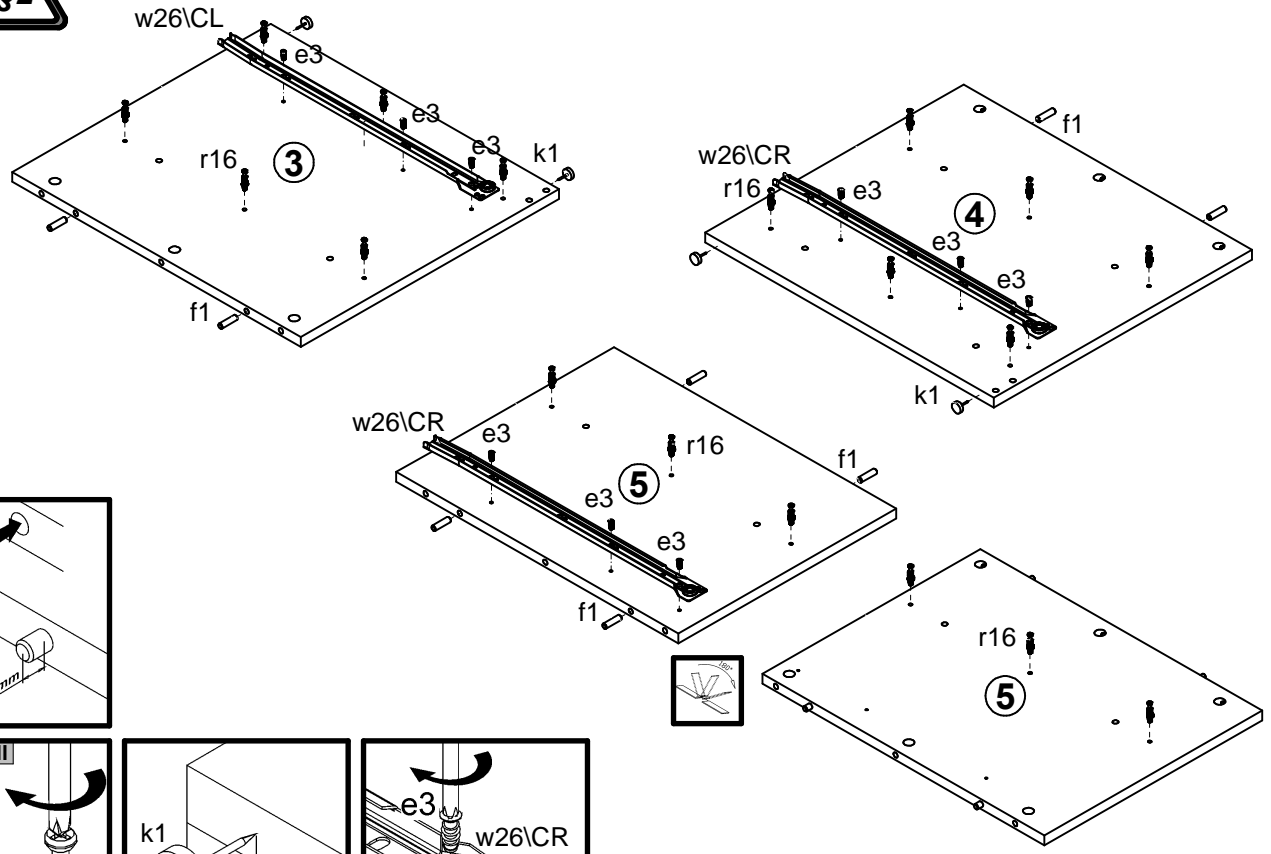
S78-RTV2S/120

A	B	C	D
1	S78-015	596	402
2	S78-016	596	402
3	S78-118	484	540
4	S78-119	484	540
5	S78-120	408	528
6	S78-203	1200	540
7	S78-321	575	528
8	S78-322	575	528
9	S78-323	1167	540
10	S78-403	1167	60
11	S78-514	1200	33
12	S78-911	435	1194
13	S78-912	537	498
14	ZS1-503	500	120
15	ZS1-504	500	120
16	ZS1-5501	526	120

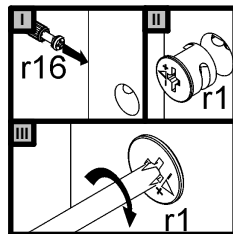
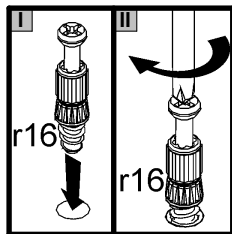
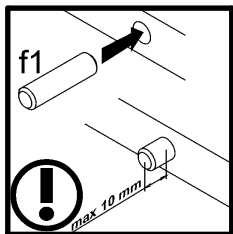
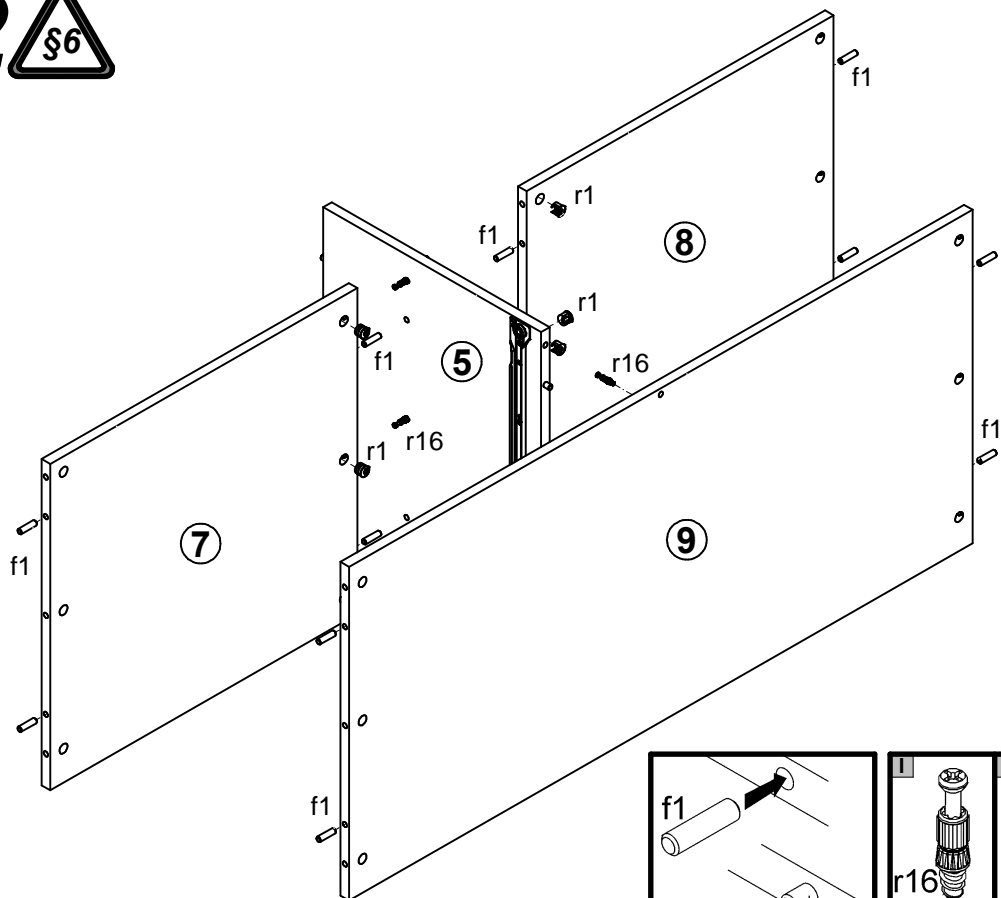


2x c239/2	12x φ5x9 mm e19	9x φ6x13 mm e3	27x φ8x30 mm f1	8x φ6.5x40 mm f25	4x M4x16 mm j83	5x k1	35x l1	3x φ3x12 mm p54
34x φ1.5x12mm #16 r1	8x φ12x10.5mm #12 r15	42x r16	9x ø16 s2	2x 500 mm w26\CL	2x 500 mm w26\CR	2x 500 mm w26\DL	2x 500 mm w26\DR	

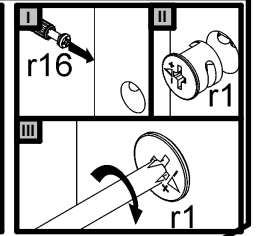
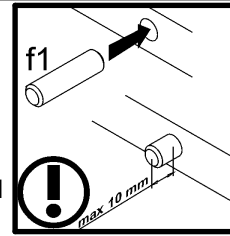
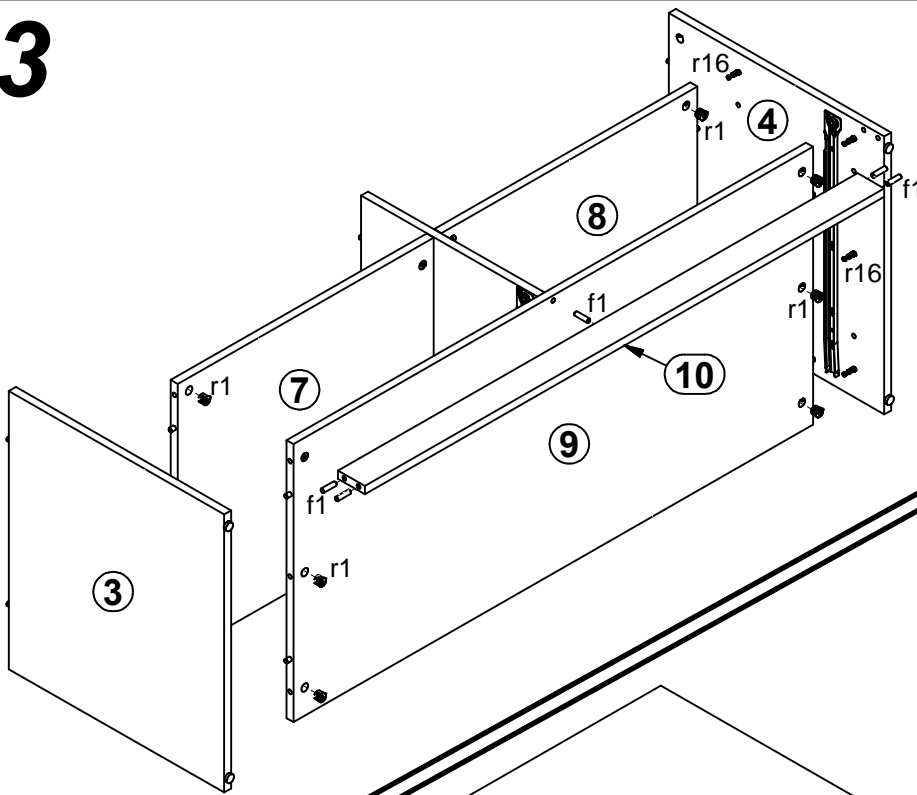
1



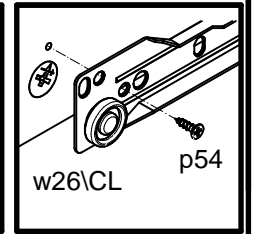
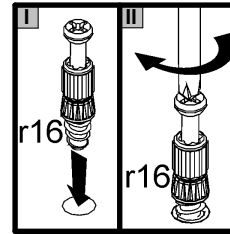
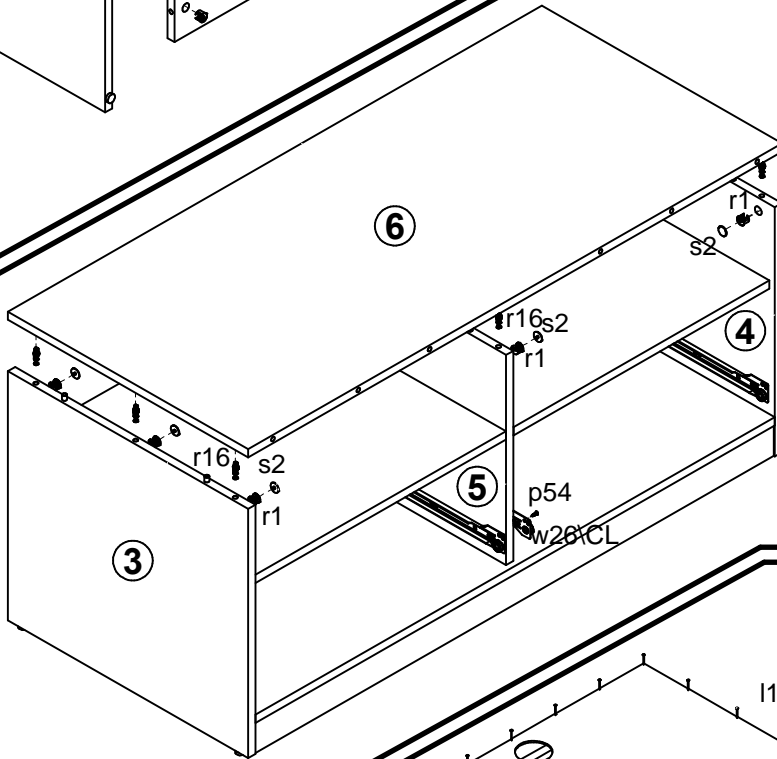
2



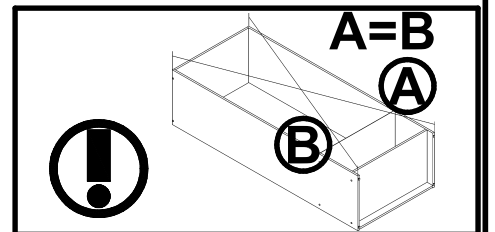
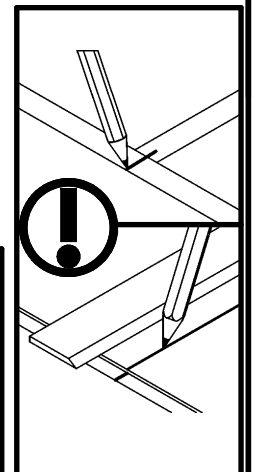
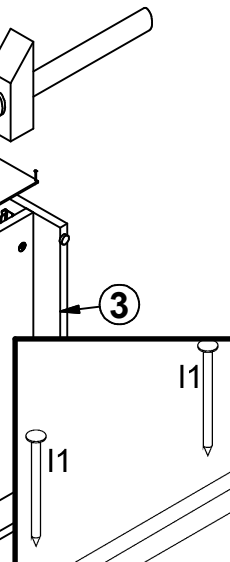
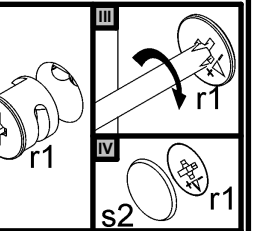
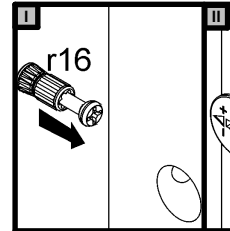
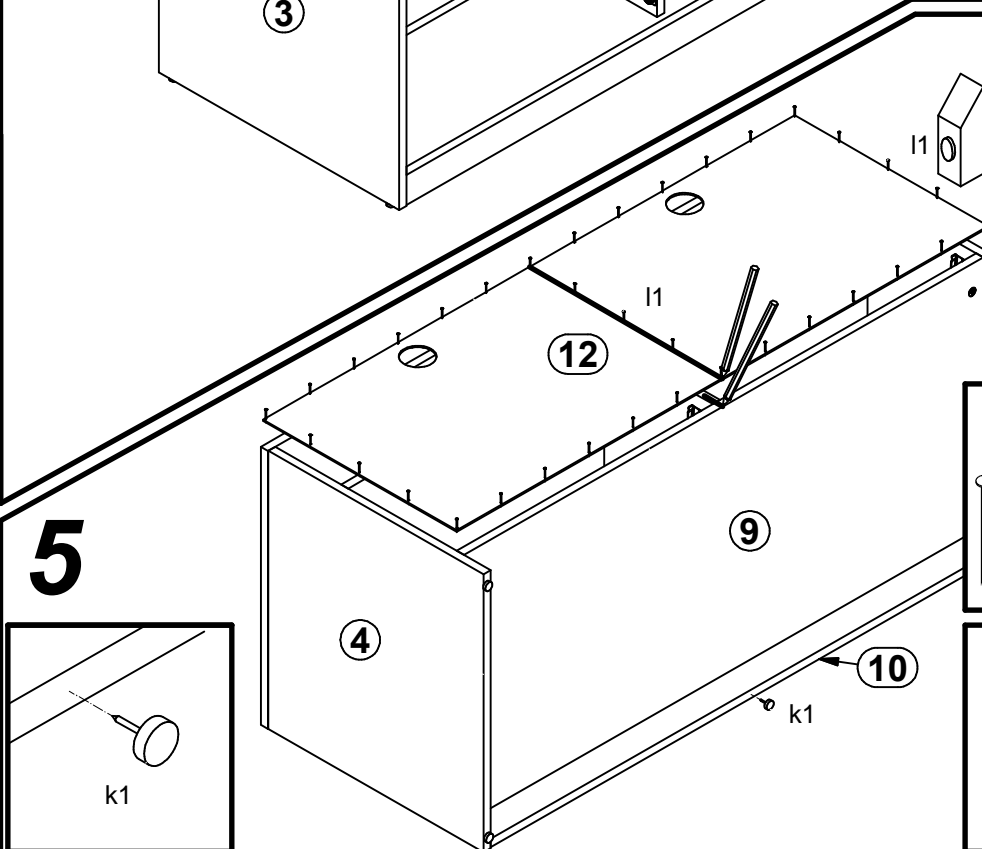
3



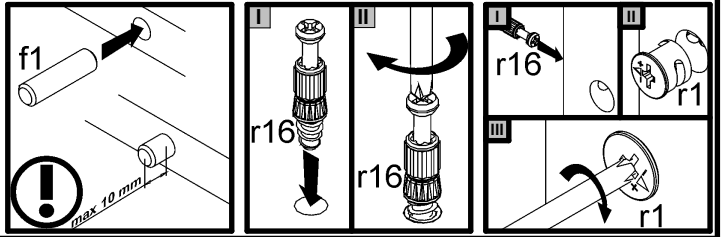
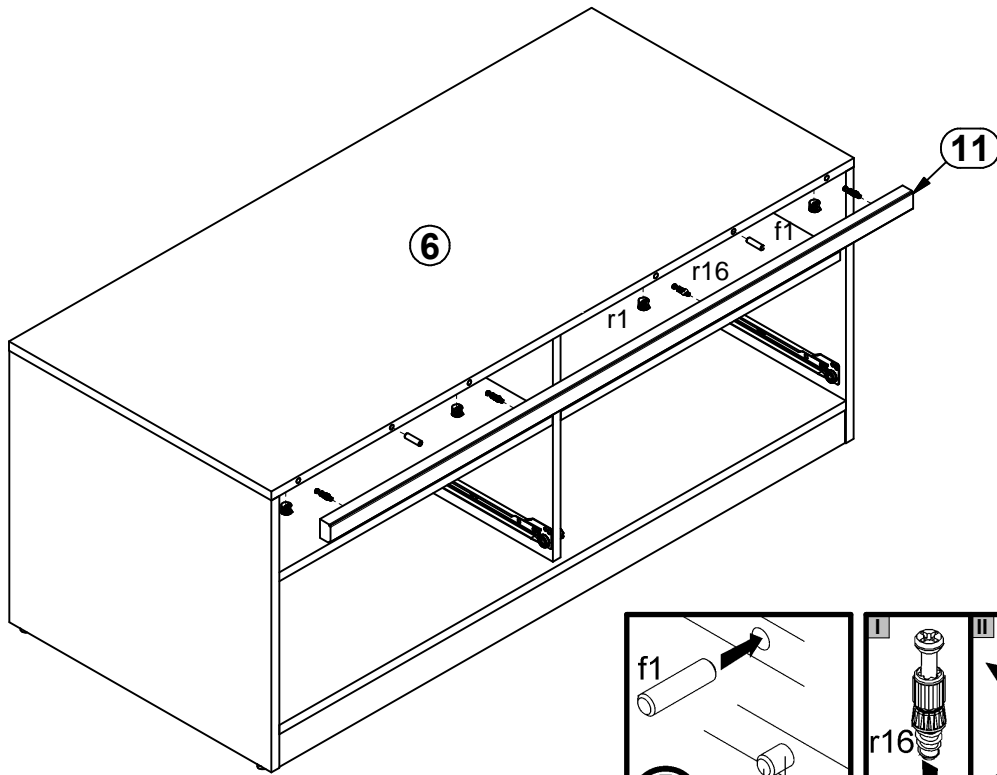
4



5



5



6

