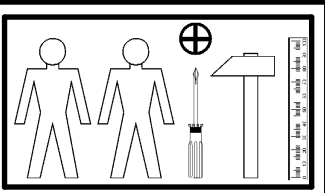
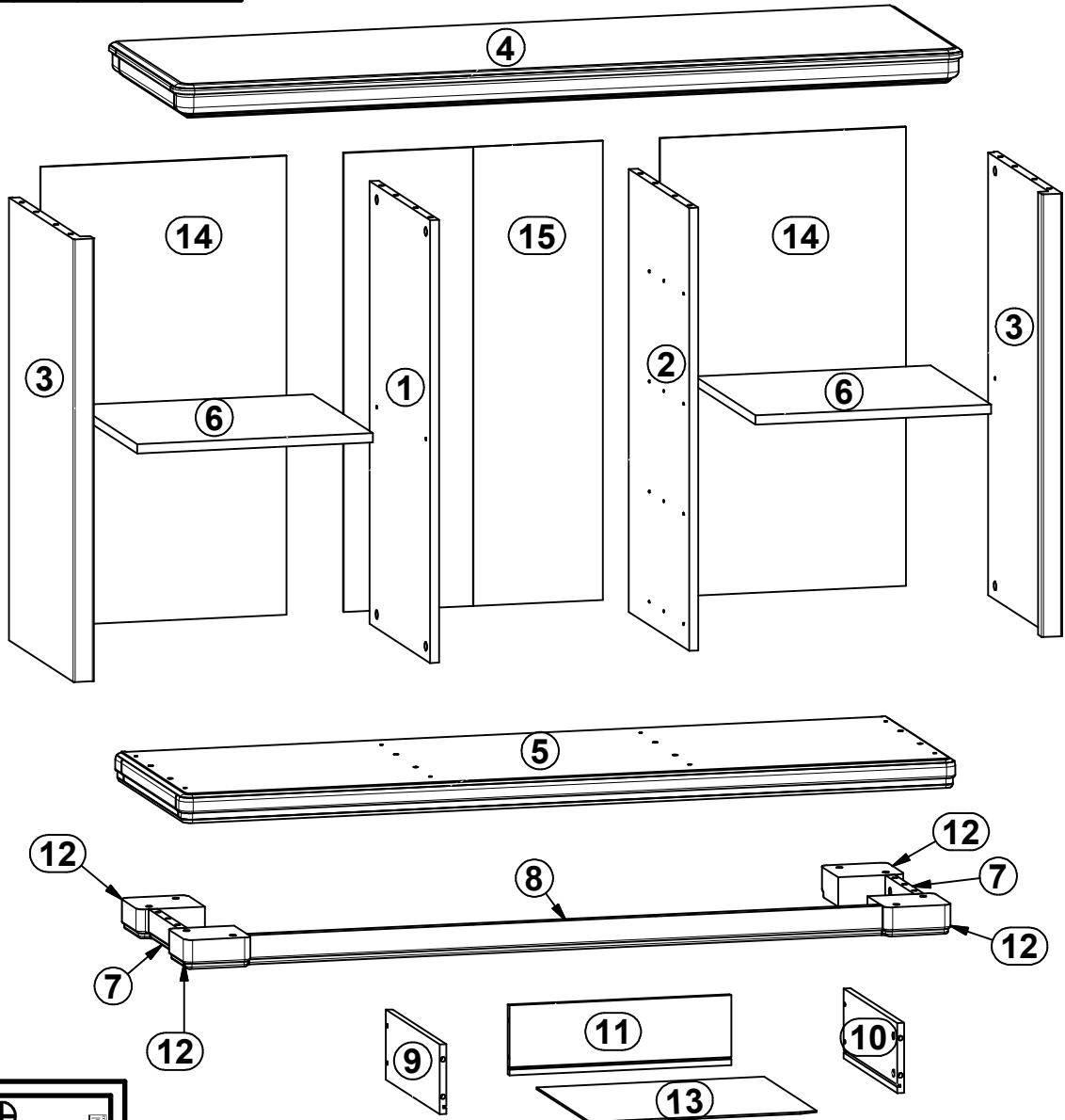
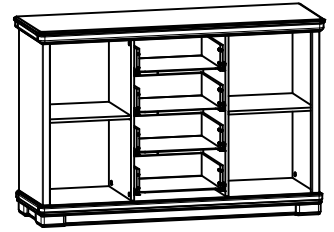
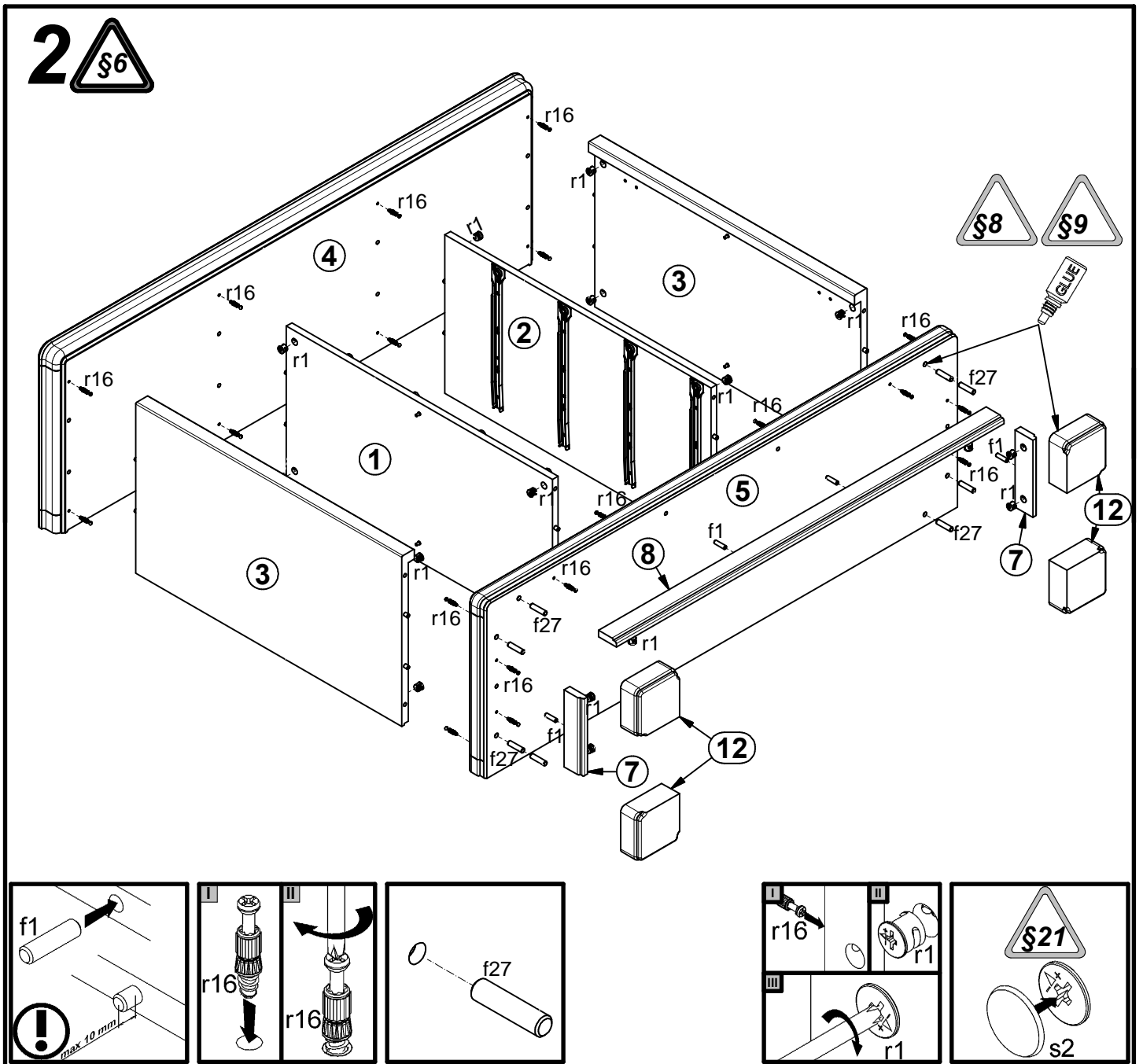
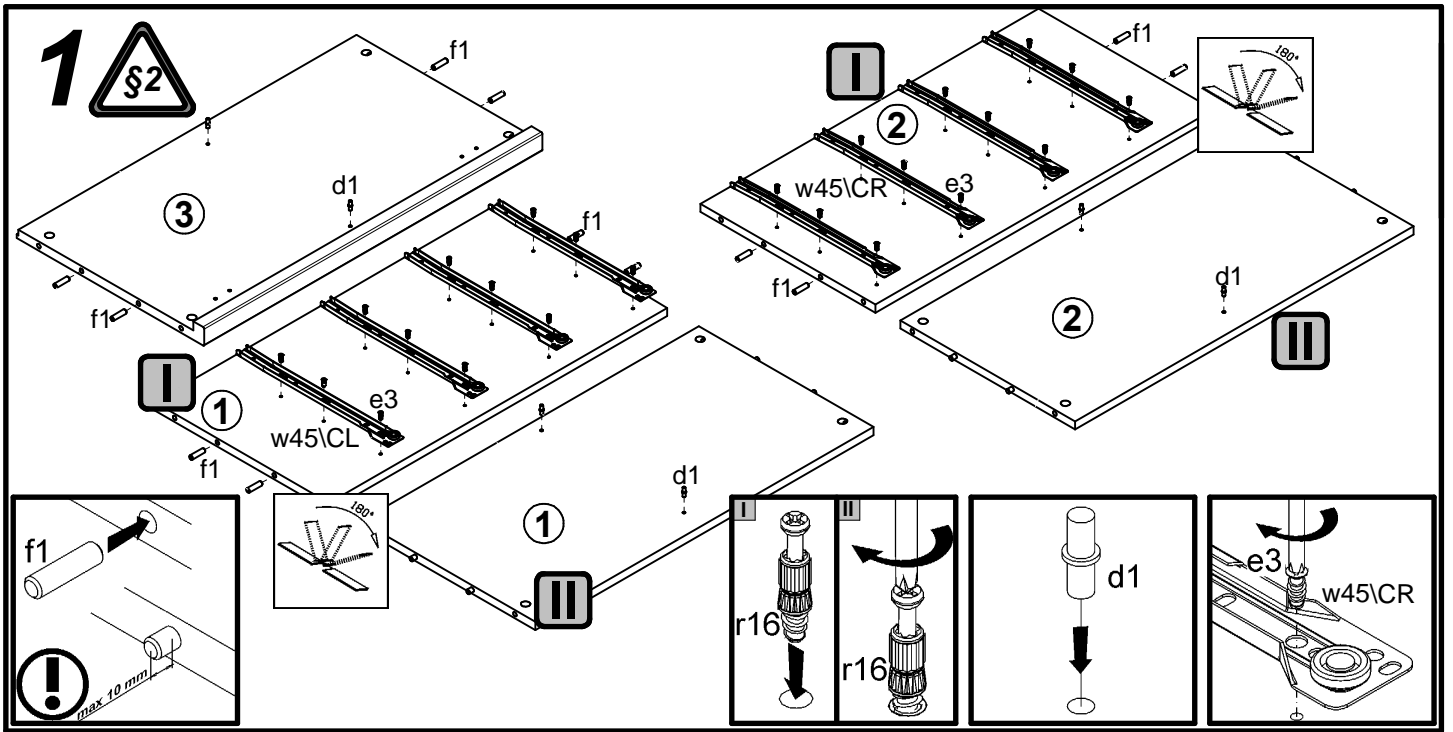


# CHARLOTTA S96-KOM2D4S/9/14

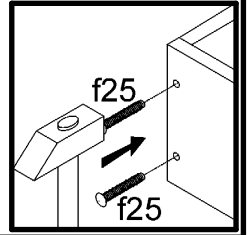
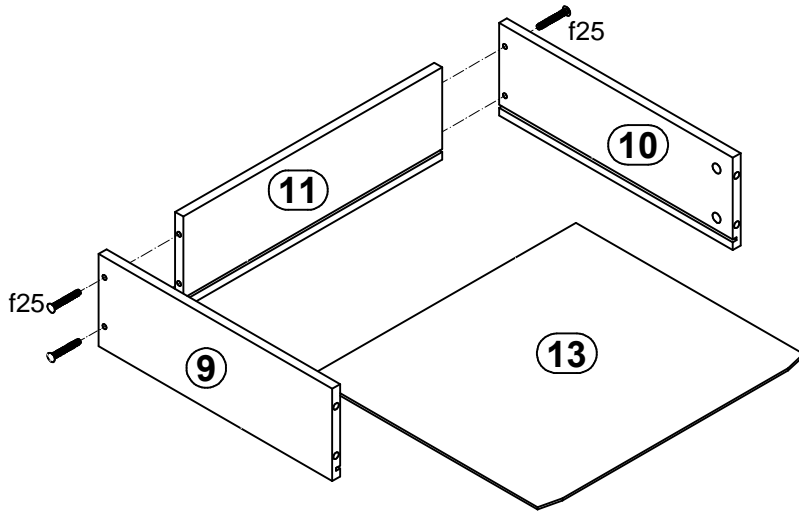
A	B	C	D	A	B	C	D		
1	S96-109	760	393	2/3	9	S96-501	350	120	2/3
2	S96-110	760	393	2/3	10	S96-502	350	120	2/3
3	S96-114	760	422	2/3	11	S96-503	388	120	2/3
4	S96-203	1379	448	1/3	12	S96-550	117	117	1/3
5	S96-204	1357	435	1/3	13	S96-901	398	348	2/3
6	S96-303	412	393	2/3	14	S96-912	788	430	2/3
7	S96-404	191	51	2/3	15	S96-9906	788	453	2/3
8	S96-407	1107	51	1/3					



8x  φ5x17 mm <b>d1</b>	24x  φ6x13 mm <b>e3</b>	20x  φ8x30 mm <b>f1</b>	16x  φ6.5x40 mm <b>f25</b>	8x  φ10x40 mm <b>f27</b>	80x  <b>l1</b>	16x  φ3x12 mm <b>p54</b>	22x  φ1.5x12mm #16 <b>r1</b>	16x  φ12x10.5mm #12 <b>r15</b>
38x  <b>r16</b>	16x  ø16 <b>s2</b>	4x  350 mm <b>w45\CL</b>	4x  350 mm <b>w45\CR</b>	4x  350 mm <b>w45\DL</b>	4x  350 mm <b>w45\DR</b>	1x  <b>n26\1</b>	1x  φ3.5x16 mm <b>p38</b>	1x  <b>y1</b>



# 3



# 4

