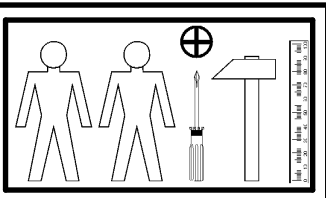
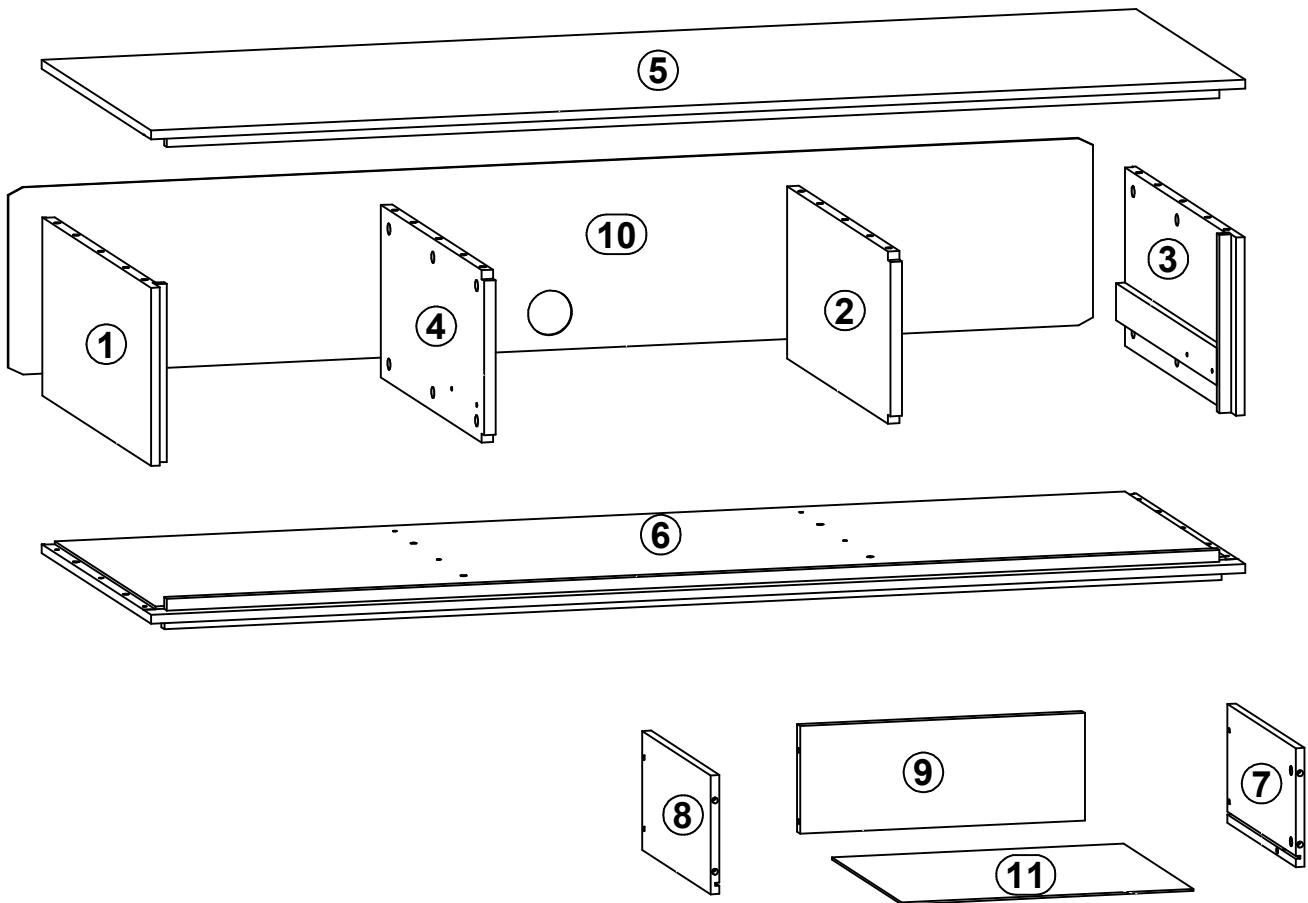
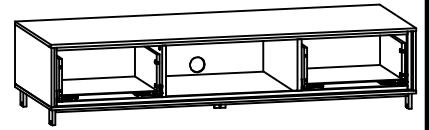


MATEO

S74-RTV2S/3/15

A	B	C	D
1	S74-105	240	557
2	S74-106	232	528
3	S74-117	240	557
4	S74-120	232	528
5	S74-203	1500	558
6	S74-214	1500	558
7	S74-512	350	160
8	S74-513	350	160
9	S74-515	390	145
10	S74-904	1487	252
11	S74-911	400	357



8x φ6x13 mm e3	10x φ6.3x20 mm e17	16x φ8x30 mm f1	8x φ6.5x40 mm f25	3x k65\L	2x k65\P	45x l1	8x φ3.5x16 mm p38	24x φ1.5x12mm #16 r1
8x φ12x10.5mm #12 r15	32x r16	4x ø16 s2	2x 350 mm w69\1L	2x 350 mm w69\1P	2x w70\1L	2x w70\1P	2x w70\2L	2x w70\2P

