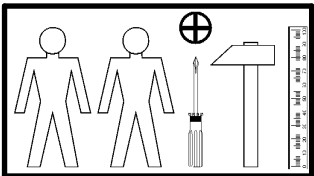
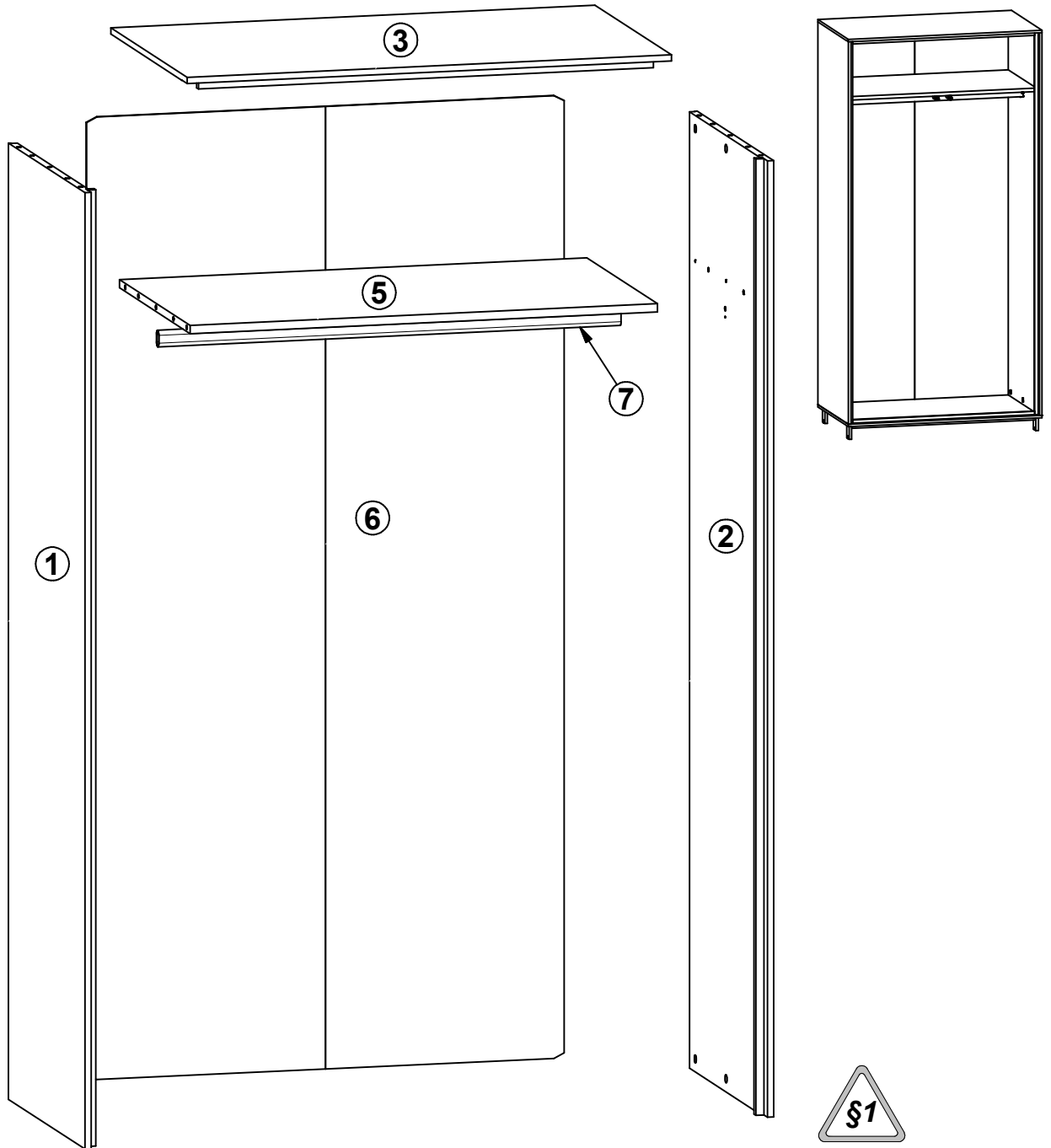


# MATEO

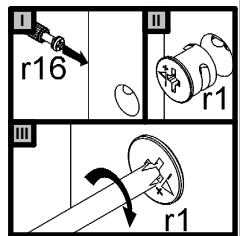
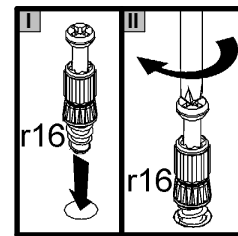
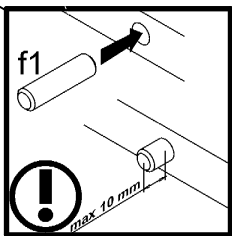
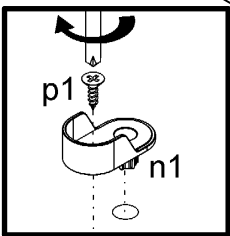
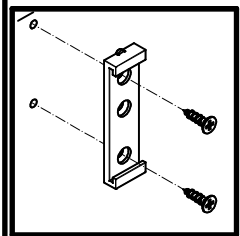
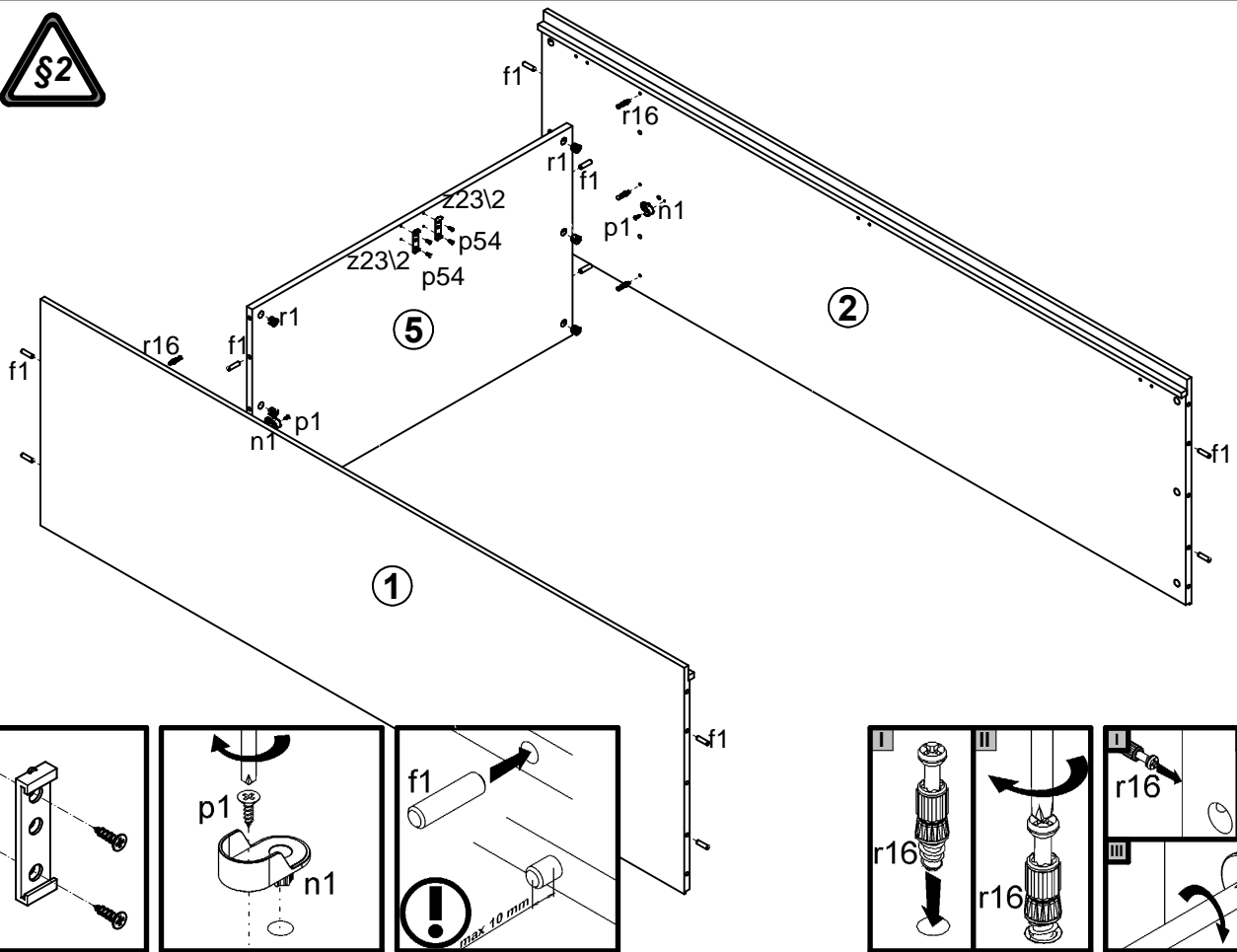
S74-SZF2D/19/9



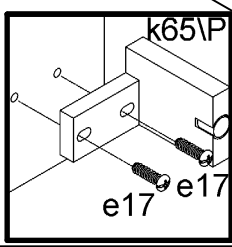
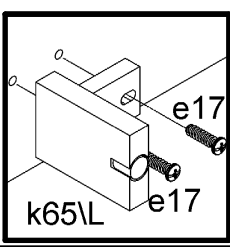
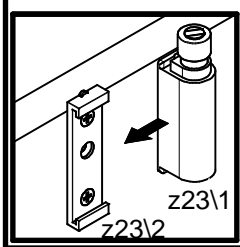
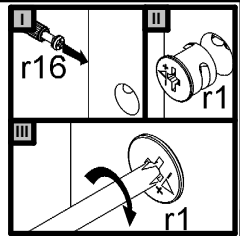
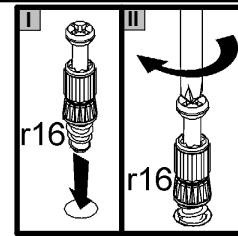
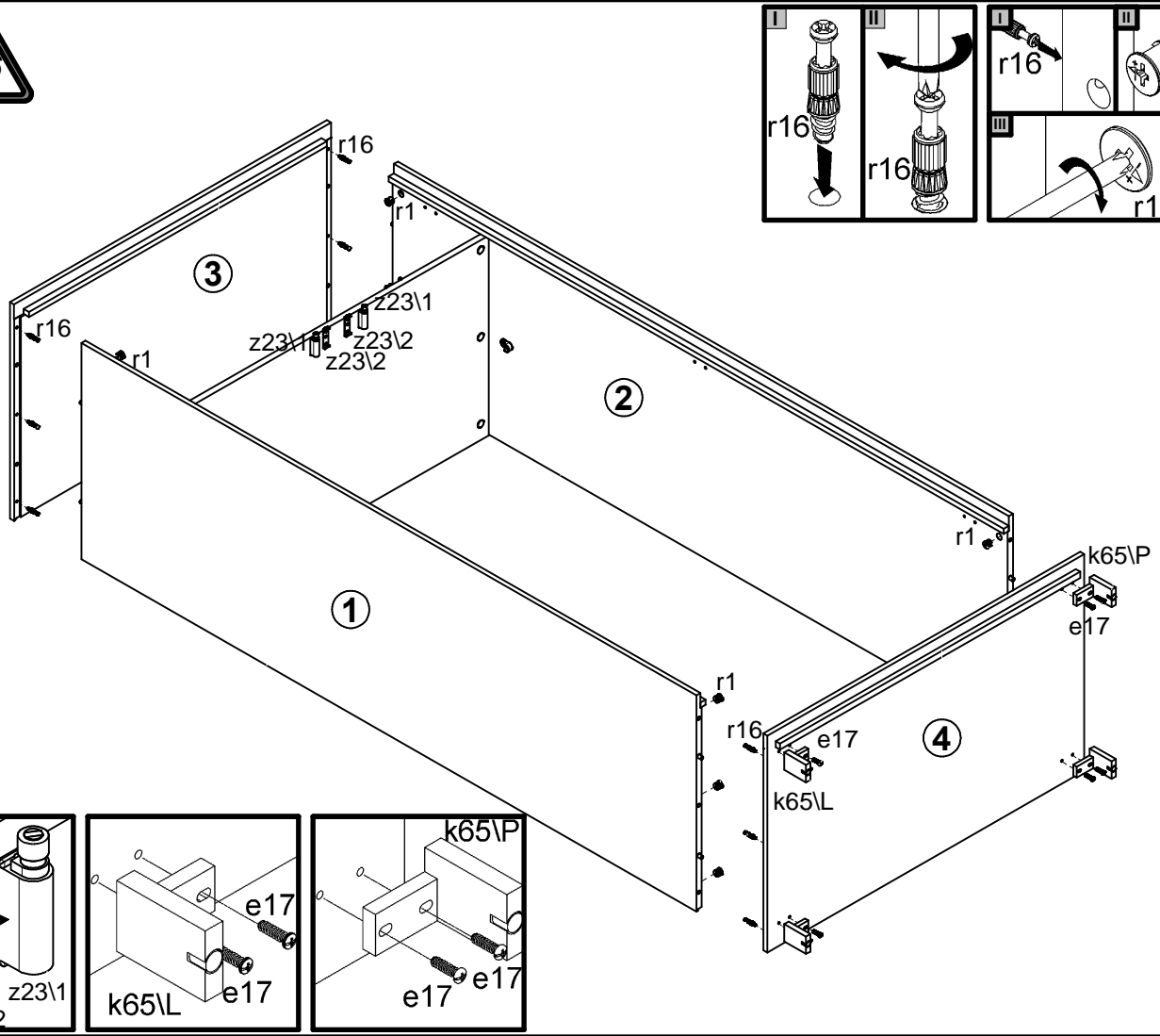
| A | B        | C    | D   |     |
|---|----------|------|-----|-----|
| 1 | S74-108  | 1833 | 557 | 1/3 |
| 2 | S74-118  | 1833 | 557 | 1/3 |
| 3 | S74-204  | 945  | 558 | 2/3 |
| 4 | S74-216  | 945  | 558 | 2/3 |
| 5 | S74-304  | 912  | 515 | 2/3 |
| 6 | S74-9906 | 1845 | 933 | 1/3 |
| 7 | dr-906   | 906  | 30  | 2/3 |

|                                    |                                  |                        |                        |                        |                        |                                    |                                  |                                       |
|------------------------------------|----------------------------------|------------------------|------------------------|------------------------|------------------------|------------------------------------|----------------------------------|---------------------------------------|
| 8x<br><br>φ5.3x20 mm<br><b>e17</b> | 12x<br><br>φ8x30 mm<br><b>f1</b> | 2x<br><br><b>k65/L</b> | 2x<br><br><b>k65/P</b> | 70x<br><br><b>l1</b>   | 2x<br><br><b>n1</b>    | 2x<br><br>φ3.5x13 mm<br><b>p1</b>  | 6x<br><br>φ3x12 mm<br><b>p54</b> | 18x<br><br>φ1.5x12mm #16<br><b>r1</b> |
| 18x<br><br><b>r16</b>              | 18x<br><br>ø16<br><b>s2</b>      | 2x<br><br><b>z23/1</b> | 2x<br><br><b>z23/2</b> | 2x<br><br><b>z23/3</b> | 1x<br><br><b>n26/1</b> | 1x<br><br>φ3.5x16 mm<br><b>p38</b> |                                  |                                       |

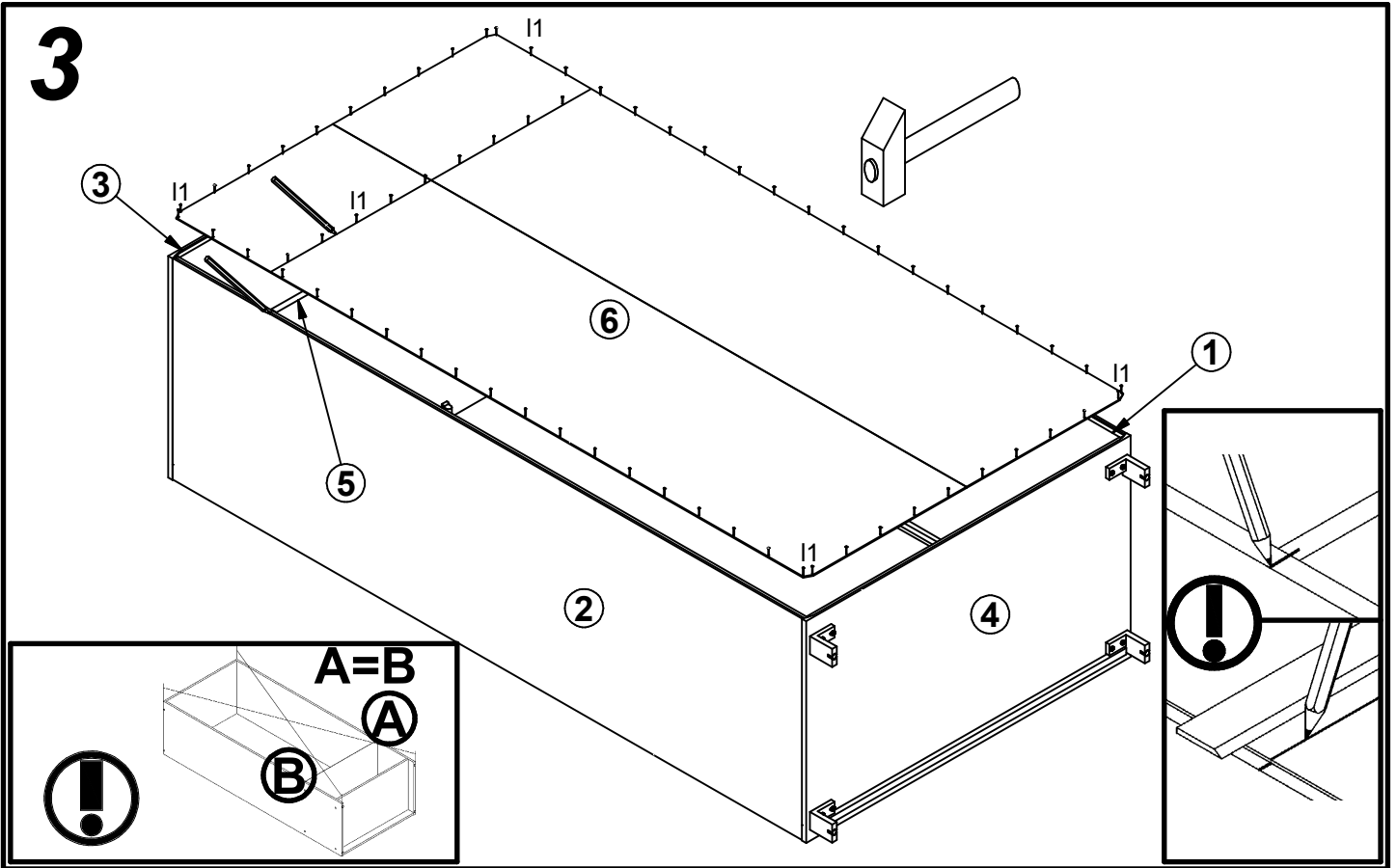
# 1



# 2



# 3



# 4

